

**Table of Contents**

1	Title Page
2	Notes
3	

**Revisions**

Rev	Description	Date	Approved
X1	Original Release	Nov-8-2013	A. INZUNZA
A	Production Release	Dec-2-2013	A. INZUNZA
B	Production Release	Feb-21-2013	A. INZUNZA

		<b>Microcontroller Solutions Group</b> 6501 William Cannon Drive West Austin, TX 78735-8089	
<small>This document contains information proprietary to Freescale Semiconductor and shall not be used for engineering design, procurement or manufacture in whole or in part without the express written permission of Freescale Semiconductor.</small>			
Designer: A. INZUNZA		ICAP Classification: FOP: FUK: X PUB:	
Drawing Title: A. INZUNZA		<b>TRK-KEA128</b>	
Drawn by: A. INZUNZA		Page Title: <b>TITLE PAGE</b>	
Approved: APPROVER	Size C	Document Number SCH-28200 PDF: SPF-28200	Rev B
Date: Friday, February 21, 2014		Sheet 1 of 5	

1. Unless Otherwise Specified:

All resistors are in ohms, 5%, 1/8 Watt

All capacitors are in uF, 20%, 50V

All voltages are DC

All polarized capacitors are aluminum electrolytic

2. Interrupted lines coded with the same letter or letter combinations are electrically connected.


3. Device type number is for reference only. The number varies with the manufacturer.

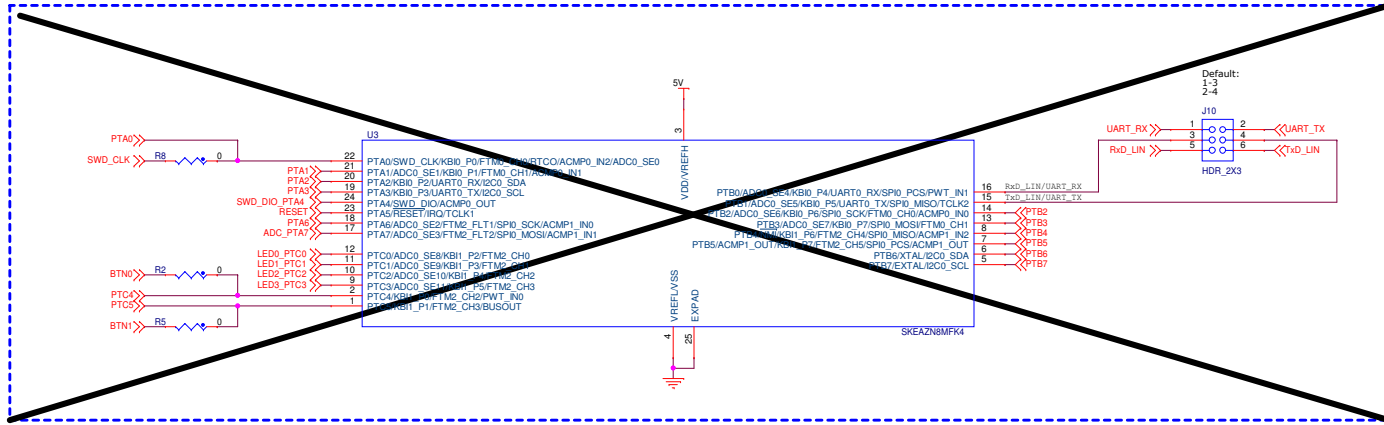
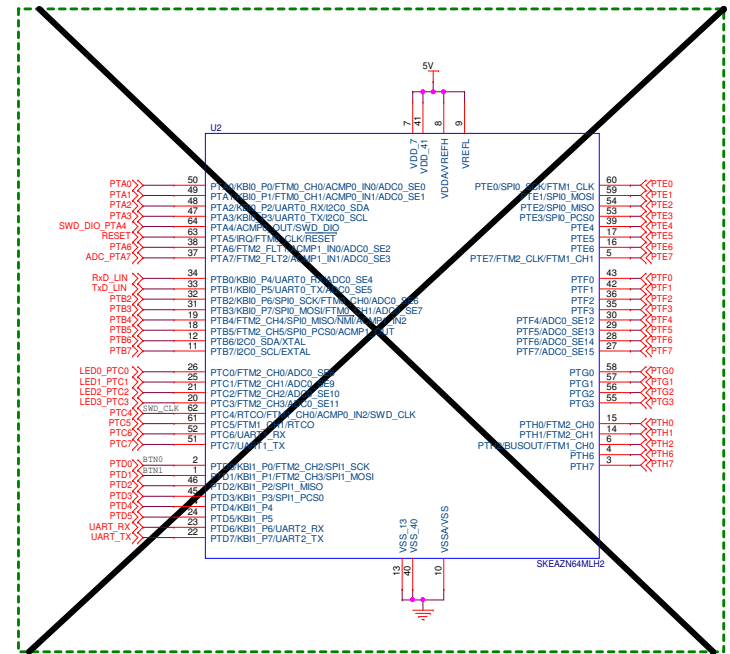
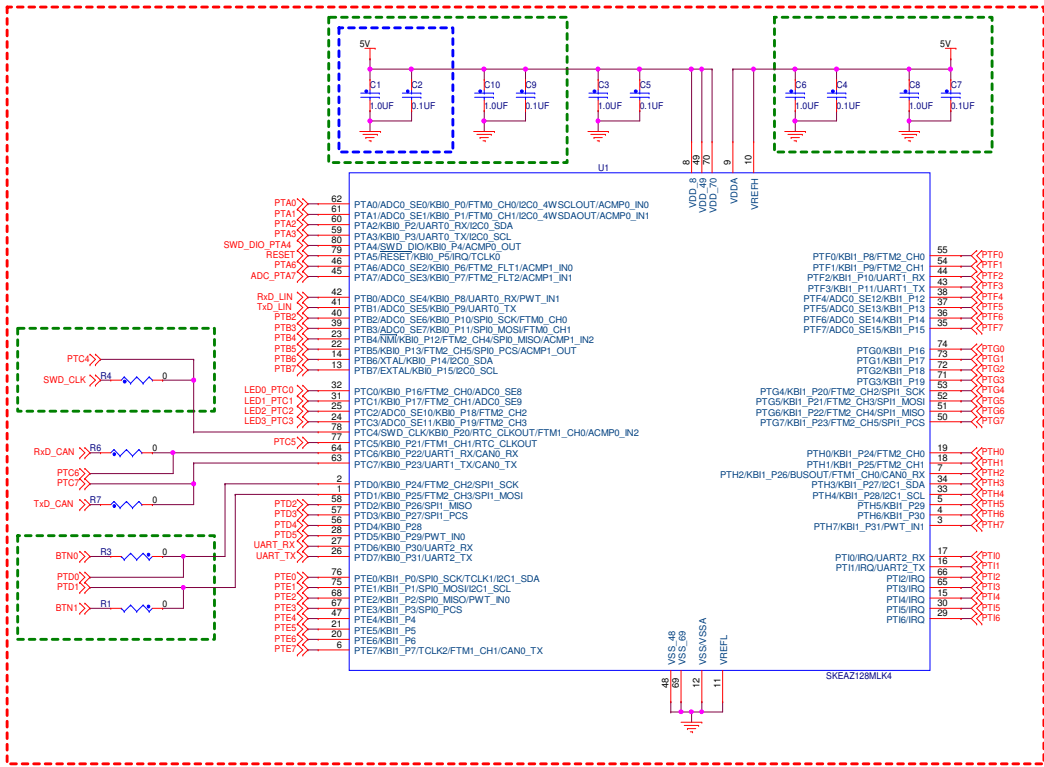
4. Special signal usage:

\_B Denotes - Active-Low Signal

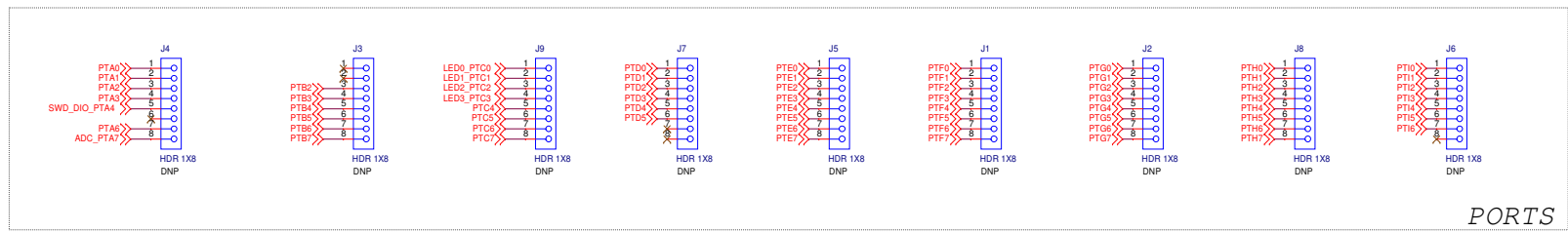
<> or [] Denotes - Vectored Signals

5. Interpret diagram in accordance with American National Standards Institute specifications, current revision, with the exception of logic block symbology.

			
ICAP Classification:		FCP:	FIUC: X PUBL:
Drawing Title:			
<b>TRK-KEA128</b>			
Page Title:			
<b>NOTES</b>			
Size	Document Number	Rev	
C	SCH-28200 PDF: SPF-28200	B	
Date:	Friday, February 21, 2014	Sheet	2 of 5



- Populated with KEA8
- Populated with KEA64
- Populated with KEA128



PORTS

**freescale**  
semiconductor

ICAP Classification: FCP:      FUC: X      PUB:      DNP

**TRK-KEA128**

Page Title:      **MCUs**

Size C	Document Number SCH-28200 PDF: SPF-28200	Rev B
--------	--	-------

Date: Friday, February 21, 2014      Sheet 3 of 5

